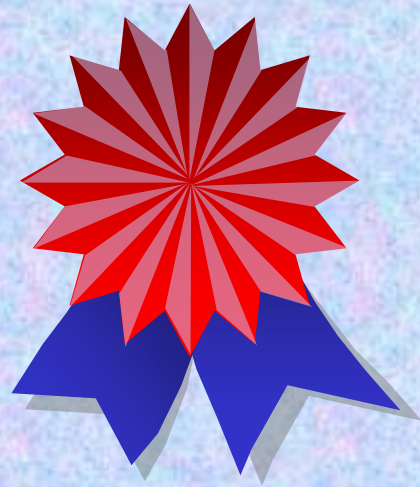


Texas State University- San Marcos
Department of Technology

***2004 Best Product Development Contest
Award***



2004 Best Team: IDS Enterprises

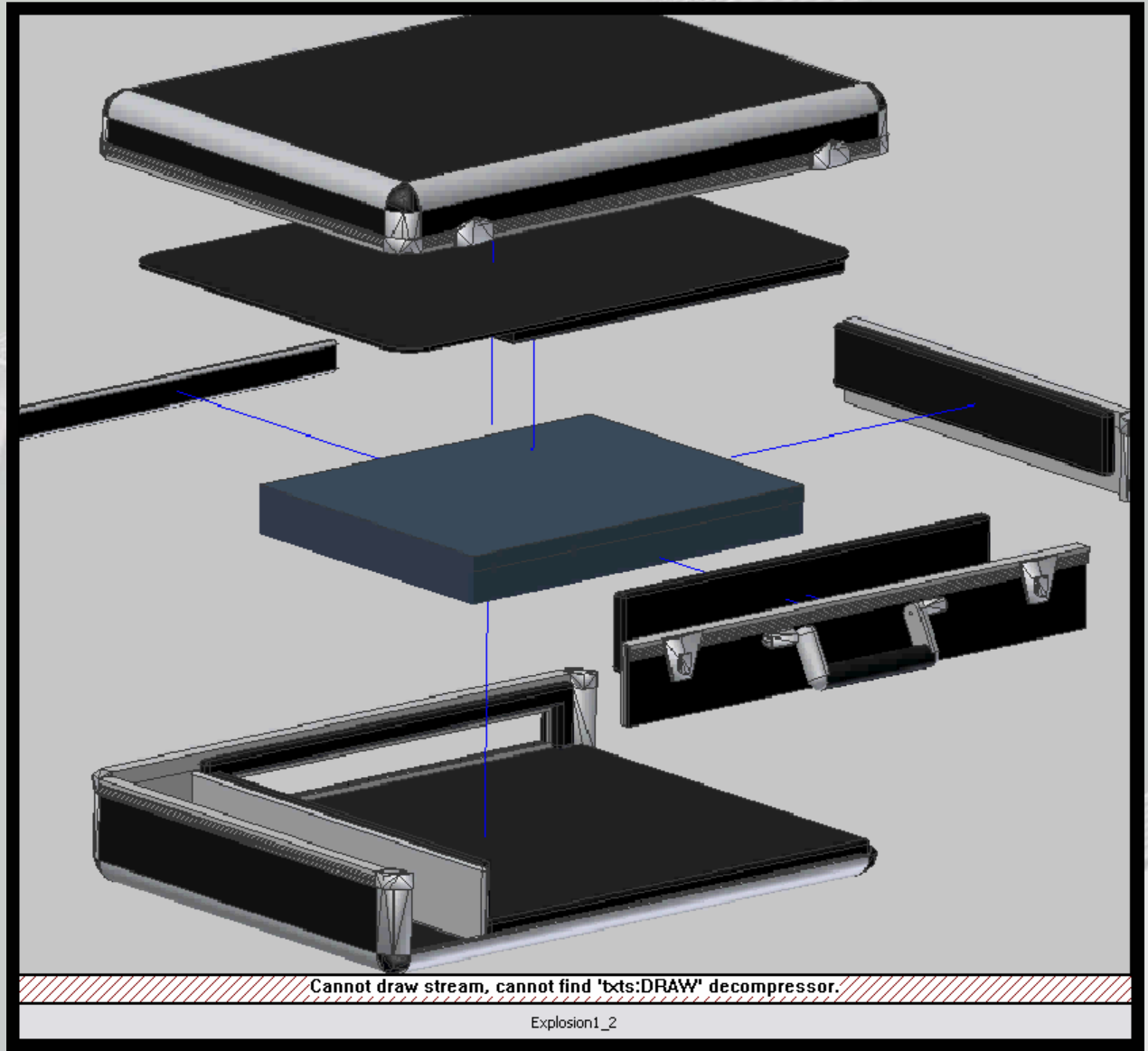
Integrated Laptop Case

Scott Lloyd
Joey Zigal
Samy Bekka
Clint Fluharty



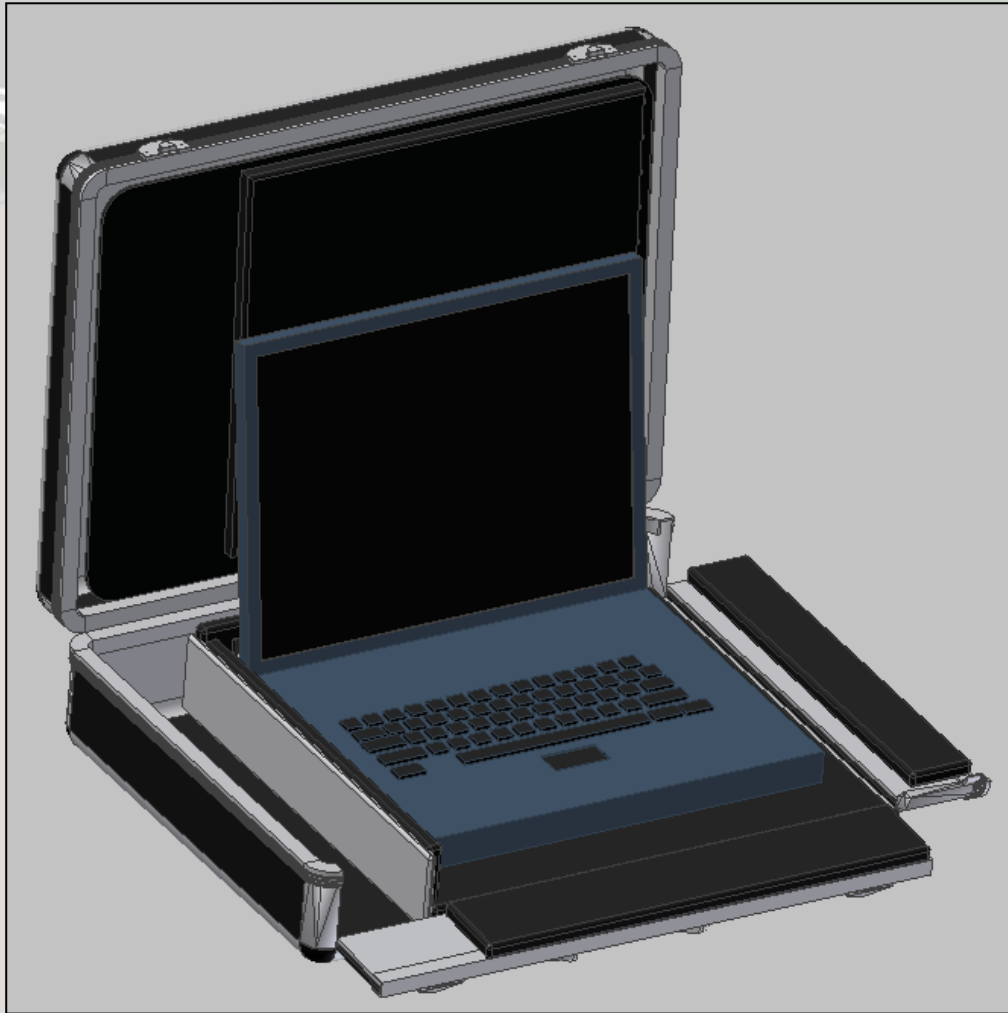
Scott Lloyd
Joey Zigal
Samy Bekka
Clint Fluharty

PRODUCT DESIGN



PRODUCT DESIGN

Best Concept



PRODUCT ATTRIBUTES

Safety / Durability

Connectivity

Aesthetics

Ease of Use /
Configurability

Accessible Drives

Accessible Ports



PRODUCT TESTING



The SIS process heater design

Robert Cano

Andy Wende

Farhana Wasik

Russell Romero

*Design &
Consulting*

Concurrent Engineering
Fall 2004

Pr... itator: Dr. Asiabanpour

Manager: Robert Cano

Team Members:

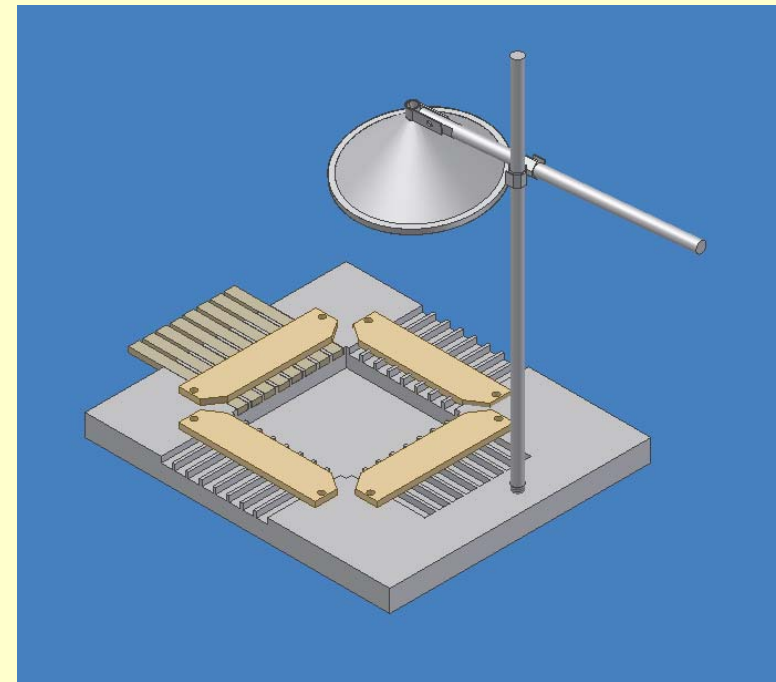
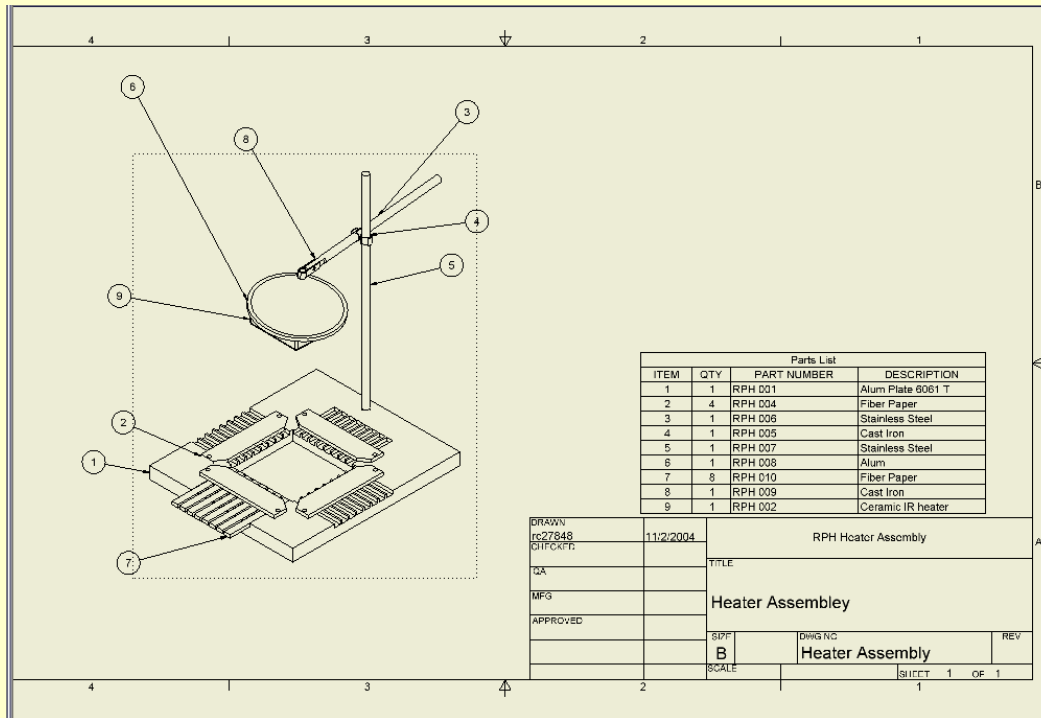
Andy Wende

Wasik

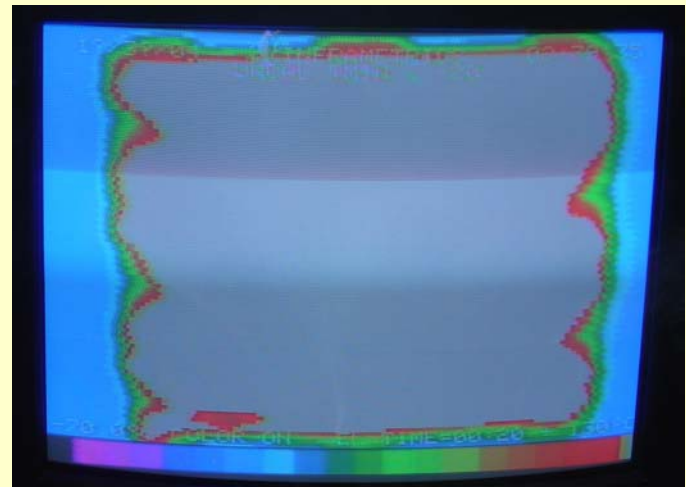
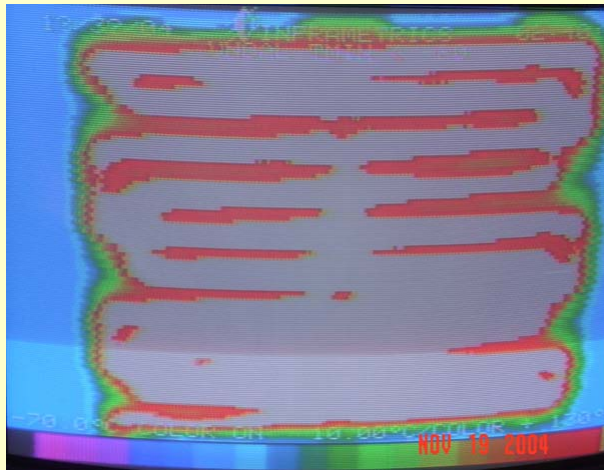
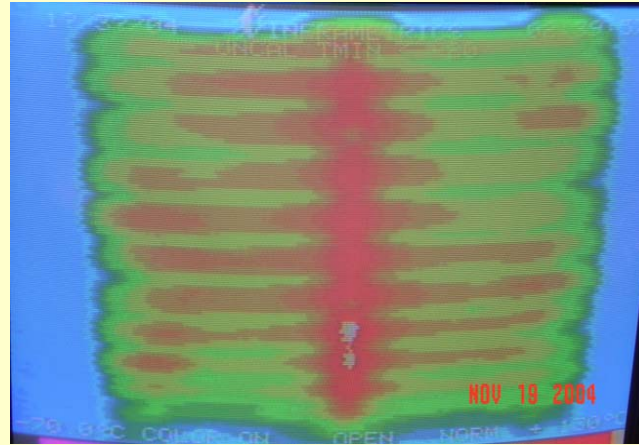
Romero



System design



Performance and Evaluation (Thermal Imaging)



Heater Prototype

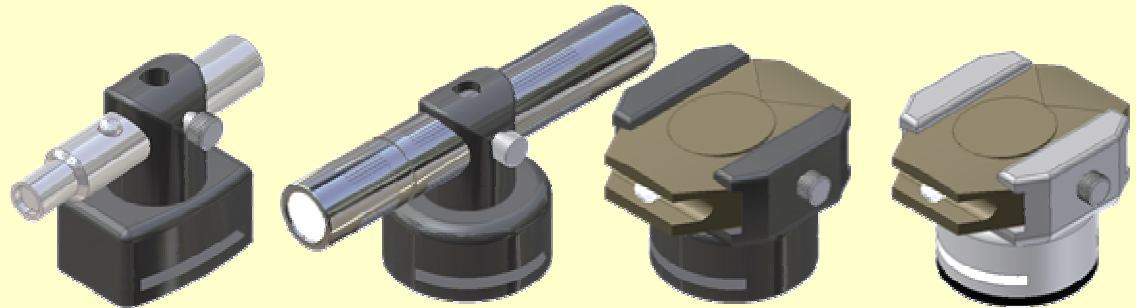


The Drill-LITE

Eric Ryza
Hector Moya
Randy Lander
Erik Wilson
Emil Dahl

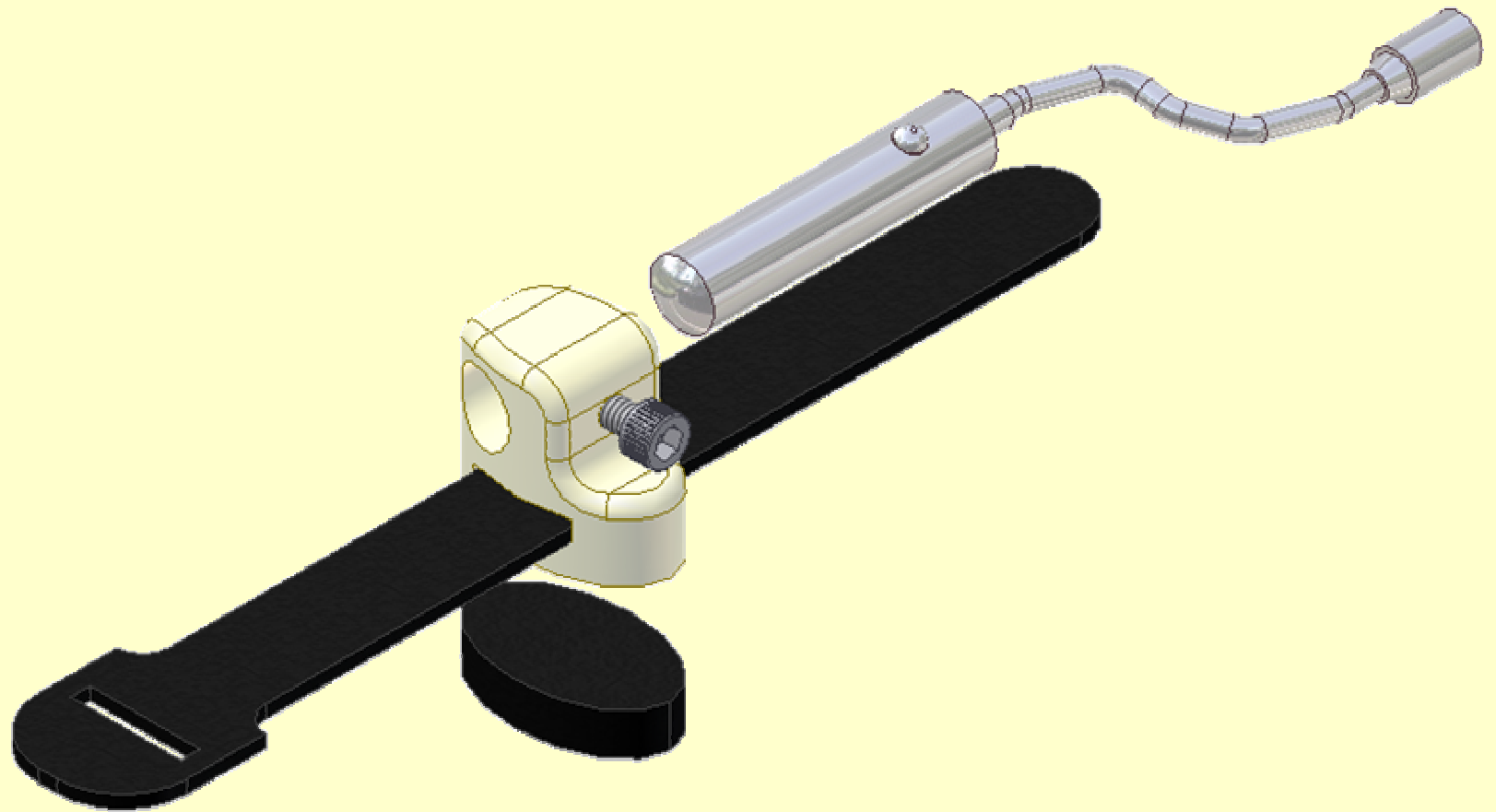


Concept Scoring



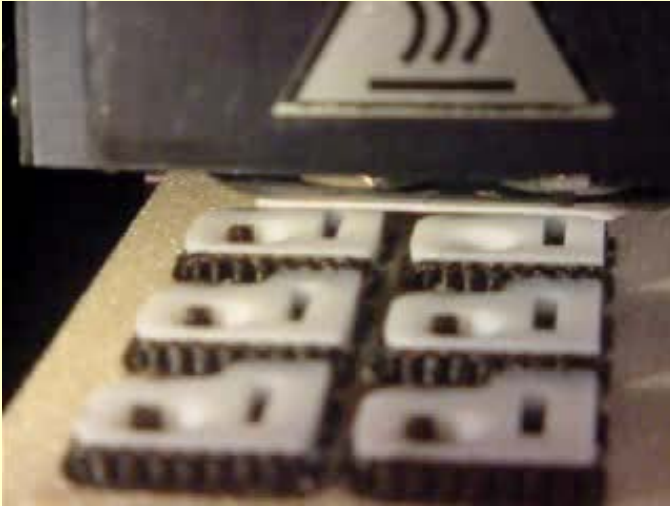
		B Plastic, Square, LED, 90°		C Plastic, Round, Mag- Lite, 180°		D Plastic, Round, LED, 180°		H Al, Round, LED, 90°	
Selection Criteria	Weight	Rating	Weighted Score	Rating	Weighted Score	Rating	Weighted Score	Rating	Weighted Score
Provides light for any drilling situation	10%	2	0.2	3	0.3	4	0.4	2	0.2
Is easy to attach to a standard drill	18%	2	0.36	3	0.54	3	0.54	3	0.54
Does not interfere with normal operation of the drill	12%	4	0.48	3	0.36	5	0.6	1	0.12
Has adjustable features	8%	1	0.08	3	0.24	3	0.24	1	0.08
Is safe	5%	3	0.15	3	0.15	3	0.15	3	0.15
Lasts a long time	8%	3	0.24	1	0.08	3	0.24	3	0.24
Improves working efficiency for user	13%	2	0.26	3	0.39	3	0.39	2	0.26
Ease of manufacture	12%	3	0.36	3	0.36	3	0.36	1	0.12
Cost of manufacture	14%	4	0.56	3	0.42	3	0.42	4	0.56
	Total Score		2.69		2.84		3.34		2.27
	Rank		3		2		1		4
	Continue ?		No		No		Yes		No

Final Design



Prototyping Process

1



2



3



4



Final Assembly



Desk Hutch

Charles Janecka

Brad Bissonette

David Young

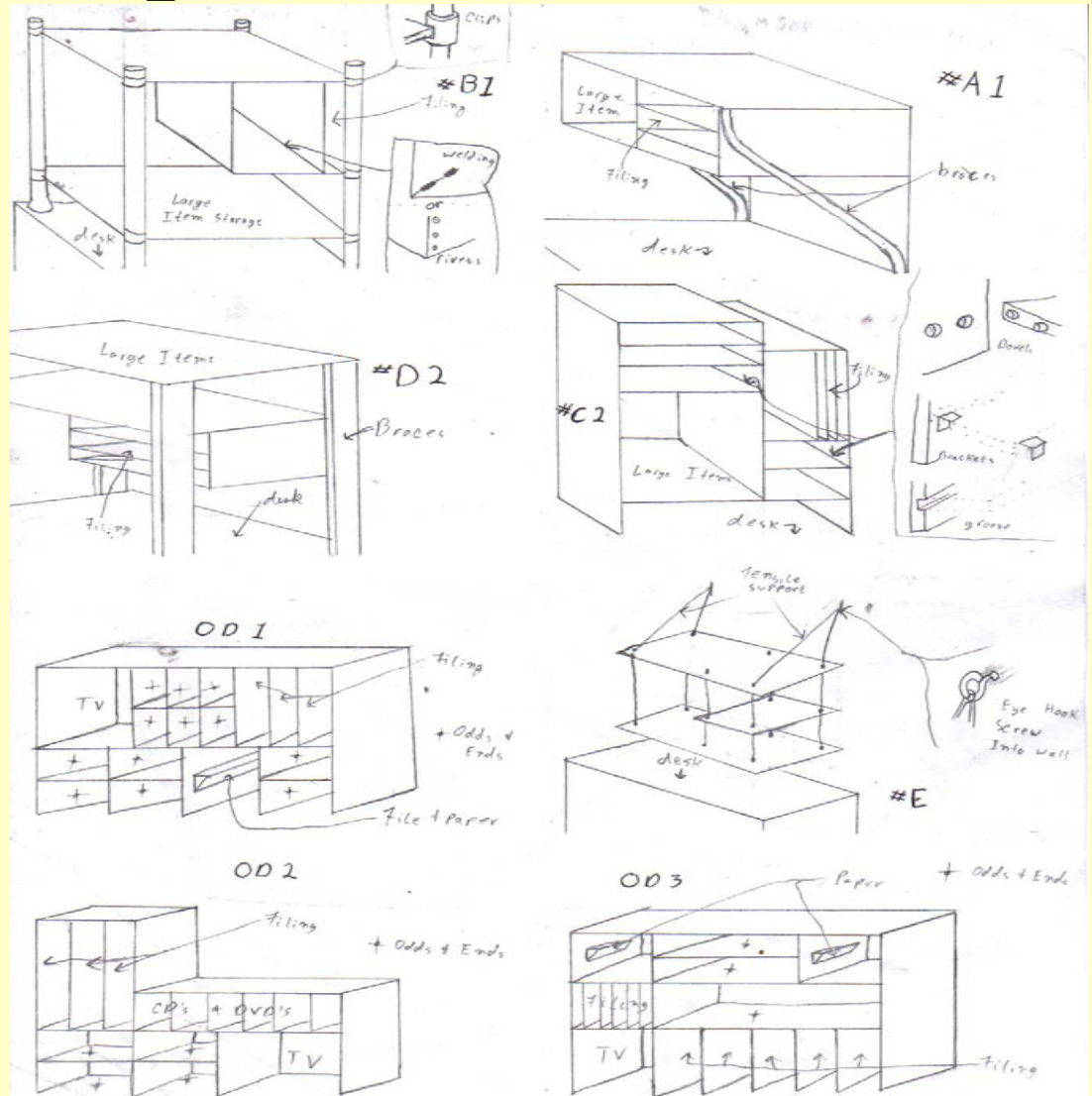
Michael Sanchez

Isy Gabriela Castillo



Concept Sketches

Preliminary sketches for the hutch, they were done before the final sketch





Expert panel (Judges)



Expert panel (Judges)

